

P - TYPE CONNECTORS



GENERAL INFORMATION

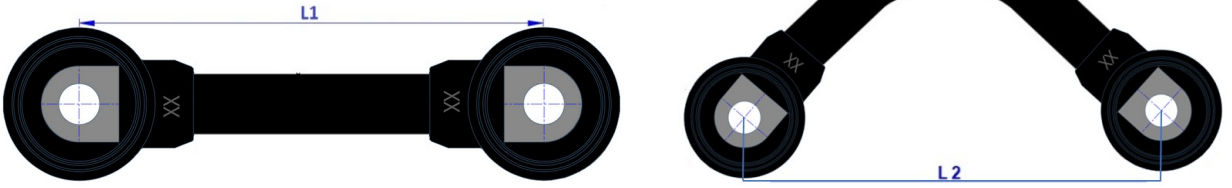
P type battery connectors are flexible products that allow the traction battery cells to be connected to each other. P type battery connectors are assembled to the battery cells with a uninsulated bolt. Upper insulation is provided by special covers.

FEATURES

- ❖ High current carrying capacity
- ❖ High flexibility
- ❖ High impermeability (Thanks to special cable insulation and injection materials)
- ❖ Standard products comply with GWT 650(IEC 60695-2-11).
- ❖ There is also VO UL94 / GWT 750 version in order to use in the environments where heat resistance is expected to be high (Mining etc.)
- ❖ Terminal pull-out force complies with MIL-T 7928
- ❖ 100% resistance control and marking
- ❖ Insulation resistance > 1000 M Ω (Under 500 VDC)
- ❖ Tin plated terminals
- ❖ %99.9 Copper terminals

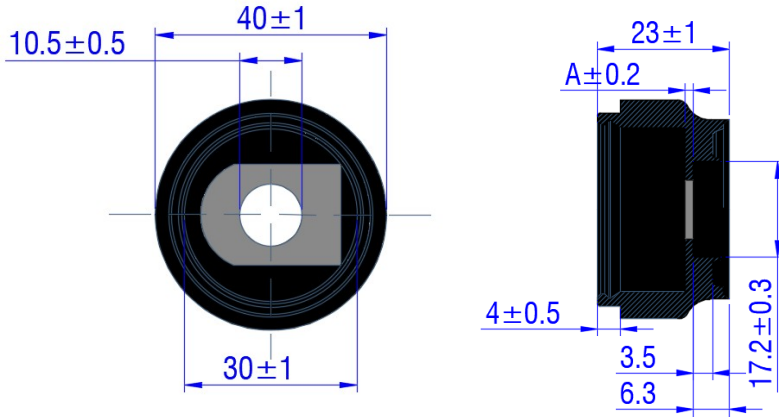
P - TYPE CONNECTORS

FLEXIBILITY TABLE



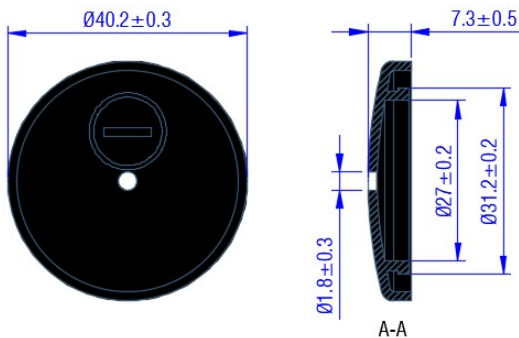
Minimum flexibility length(L2) table according to the connector length(L1)							
Connector Type:	Cable Section:	L2					
		L1: 85mm	L1: 95mm	L1: 110mm	L1: 130mm	L1: 150mm	L1: >150mm
P Type (Perfect)	35mm ²	75 mm	50 mm	40 mm	40 mm	40 mm	40 mm
	50mm ²	75 mm	65 mm	45 mm	40 mm	40 mm	40 mm
	70mm ²	-	-	80 mm	45 mm	40 mm	40 mm
	95mm ²	-	-	100 mm	65 mm	40 mm	40 mm

DIMENSIONS (mm)

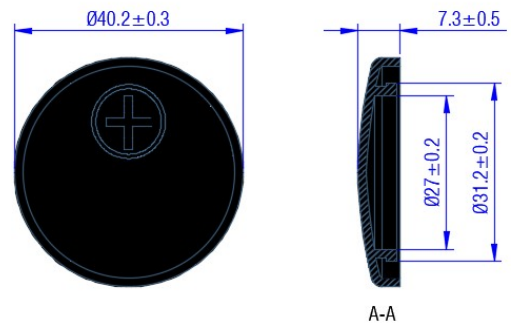


* "A" DIMENSIONS: FOR 25-35-50mm² CABLE = 2mm
FOR 70-95mm² CABLE = 3mm

MINUS (-) COVER

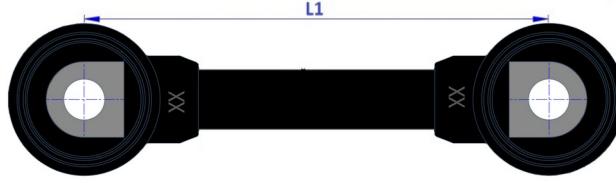


PLUS (+) COVER



P - TYPE CONNECTORS

Product List



<u>Product Code</u>	<u>Cable Section</u>	<u>L1(mm)</u>	<u>Product Code</u>	<u>Cable Section</u>	<u>L1(mm)</u>
MEKN72000001	25mm ²	80	MEKN72000016	50mm ²	80
MEKN72000002	25mm ²	95	MEKN72000017	50mm ²	95
MEKN72000037	25mm ²	100	MEKN72000018	50mm ²	110
			MEKN72000019	50mm ²	130
			MEKN72000020	50mm ²	150
			MEKN72000021	50mm ²	170
			MEKN72000038	50mm ²	100
			MEKN72000039	50mm ²	310
			MEKN72000062	50mm ²	375
			MEKN72000053	50mm ²	600
			MEKN72000066	50mm ²	300
			MEKN72000081	50mm ²	380
<u>Product Code</u>	<u>Cable Section</u>	<u>L1(mm)</u>	<u>Product Code</u>	<u>Cable Section</u>	<u>L1(mm)</u>
MEKN72000007	35mm ²	100	MEKN72000061	70mm ²	80
MEKN72000009	35mm ²	80	MEKN72000023	70mm ²	95
MEKN72000065	35mm ²	85	MEKN72000024	70mm ²	110
MEKN72000010	35mm ²	95	MEKN72000025	70mm ²	130
MEKN72000011	35mm ²	110	MEKN72000026	70mm ²	150
MEKN72000012	35mm ²	130	MEKN72000027	70mm ²	170
MEKN72000013	35mm ²	150	MEKN72000029	70mm ²	210
MEKN72000063	35mm ²	310	MEKN72000047	70mm ²	100
MEKN72000082	35mm ²	600	MEKN72000048	70mm ²	310
MEKN72000083	35mm ²	1500			
MEKN72000084	35mm ²	210			
MEKN72000085	35mm ²	1500			
<u>Product Code</u>	<u>Cable Section</u>	<u>L1(mm)</u>			
MEKN72000030	95mm ²	95			
MEKN72000031	95mm ²	110			
MEKN72000032	95mm ²	130			
MEKN72000033	95mm ²	150			
MEKN72000034	95mm ²	170			
MEKN72000035	95mm ²	190			
MEKN72000036	95mm ²	210			
MEKN72000046	95mm ²	600			
MEKN72000055	95mm ²	310			

* Please contact us for different length and cable section requests.