



GENERAL INFORMATION

The JB3 type solar junction boxes have a special clip structure that does not require soldering and provides fast and reliable connection of busbar ribbon connections. Also it is not required any potting material.

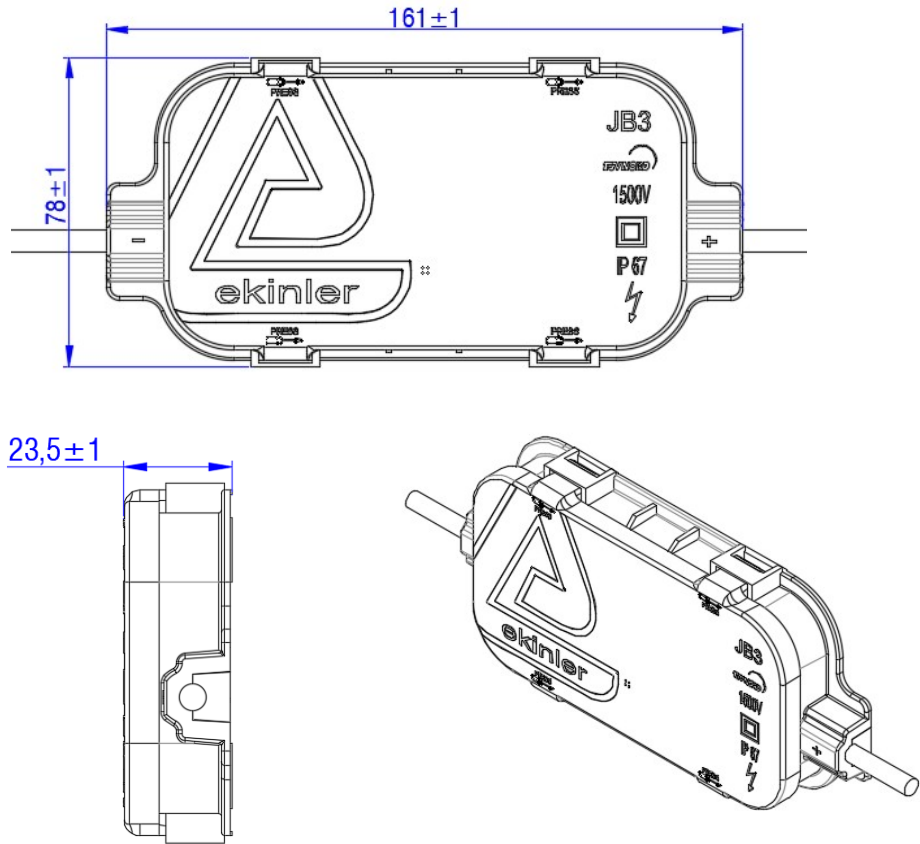
FEATURES

- ❖ 20A/45V Schottky diodes
- ❖ IP 67 Protection Degree
- ❖ Clamping type (simple, quick and safe effective ribbon assembly)
- ❖ No soldering required
- ❖ IEC 62790 Standard complies
- ❖ JB3 Junction Box is certificated by TÜV Nord
- ❖ Cable crimping connection according to EN 60352-2 Standard
- ❖ Pressure Compensation Filter (optional)
- ❖ Ekinler PC1 & Staubli MC4 EVO2 (Different brand connectors can also be used)
- ❖ Potting is not required due to its special design
- ❖ Ultrasonic plastic welding for a strong cable retention
- ❖ Silicone pathway and height nails provide safe adhesion to the backsheet
- ❖ Our product is insured by Zurich Sigorta

TECHNICAL DETAILS

Rated Current	15A
Rated Voltage	1500V
Degree Protection	IP67
Ribbon Connection Method	Clamping
Ambient Temperature Range	-40°C to +85°C
Flame Class	UL94 – V0
Body Material	PPO
Contact Material	Brass, Tin plated
Cable Size	4mm ²

DIMENSIONS (mm)



* Please contact us for cable length requests.