

# JB3

## Junction Box



### GENERAL INFORMATION

The JB3 type solar junction boxes have a special clip structure that does not require soldering and provides fast and reliable connection of busbar ribbon connections. Also it is not required any potting material.

### FEATURES

- 20A/45V Schottky diodes
- IP 67 Protection Degree
- Clamping type (simple, quick and safe effective ribbon assembly)
- No soldering required
- IEC 62790 Standard complies
- JB3 Junction Box is certificated by TÜV Nord
- Cable crimping connection according to EN 60352-2 Standard
- Ekinler PC1 & Staubli MC4 EVO2 (Different brand connectors can also be used)
- Potting is not required due to its special design
- Ultrasonic plastic welding for a strong cable retention
- Silicone pathway and height nails provide safe adhesion to the backsheet
- Our product is insured by Zurich Sigorta



# JB3

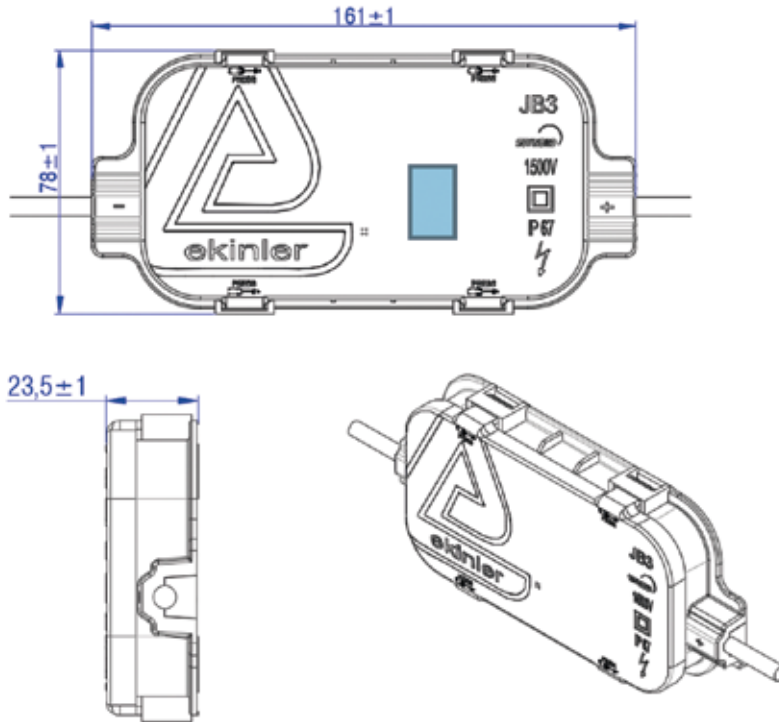
## Junction Box

### TECHNICAL DETAILS

Rated Current	15A
Rated Voltage	1500V
Degree Protection	IP67
Ribbon Connection Method	Clamping
Ambient Temperature Range	-40°C to +85°C
Flame Class	UL94 – V0
Body Material	PPO
Contact Material	Brass, Tin plated
Cable Size	4mm <sup>2</sup>



### DIMENSIONS (mm)



Please contact us for cable length requests.

[info@ekinler.com](mailto:info@ekinler.com)  
[www.ekinler.com](http://www.ekinler.com)

Tel: +90 (236) 213 04 74  
Fax: +90 (236) 213 04 78

MOSB 3. Kısım Ekrem Elginkan Cd. No:20 45030 Osb/Yunusemre/Manisa

