

# R - TYPE CONNECTORS



## GENERAL INFORMATION

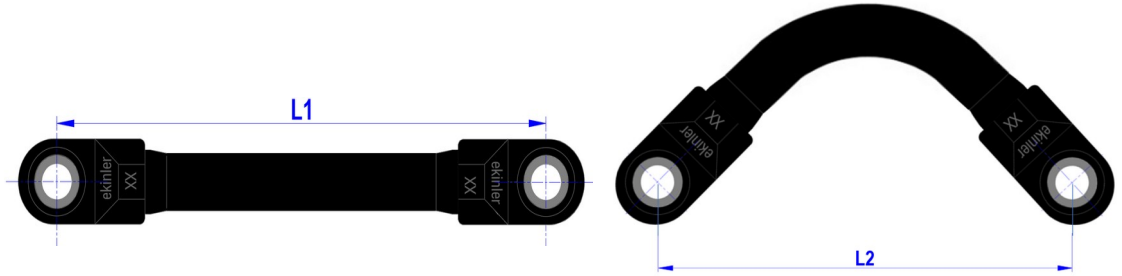
R type battery connectors are flexible products that allow the traction battery cells to be connected to each other. R type battery connectors are assembled to the battery cells with a specially insulated bolt that does not require a cover.

## FEATURES

- ❖ High current carrying capacity
- ❖ High flexibility
- ❖ High impermeability (Thanks to special cable insulation and injection materials)
- ❖ Standard products comply with GWT 650(IEC 60695-2-11).
- ❖ There is also VO UL94 / GWT 750 version in order to use in the environments where heat resistance is expected to be high (Mining etc.)
- ❖ Terminal pull-out force complies with MIL-T 7928
- ❖ 100% resistance control and marking
- ❖ Insulation resistance > 1000 MΩ (Under 500 VDC)
- ❖ Protection rating is IP55 (IEC 60529-1)
- ❖ Tin plated terminals
- ❖ %99.9 Copper terminals

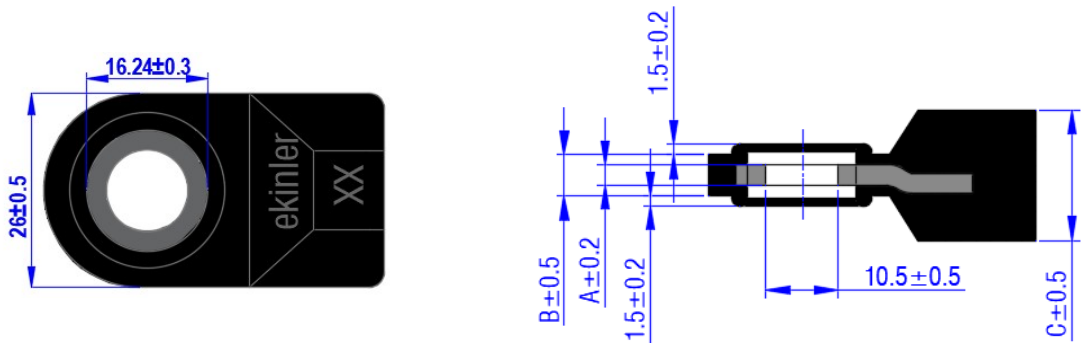
# R - TYPE CONNECTORS

## FLEXIBILITY TABLE



Minimum flexibility length(L2) table according to the connector length(L1)							
Connector Type:	Cable Section:	L2					
		L1: 85mm	L1: 95mm	L1: 110mm	L1: 130mm	L1: 150mm	L1: >150mm
F Type (Flex)	25mm <sup>2</sup>	60 mm	40 mm	30 mm	30 mm	30 mm	30 mm
	35mm <sup>2</sup>	60 mm	40 mm	30 mm	30 mm	30 mm	30 mm
	50mm <sup>2</sup>	70 mm	65 mm	35 mm	30 mm	30 mm	30 mm
	70mm <sup>2</sup>	-	-	75 mm	55 mm	35 mm	35 mm
	95mm <sup>2</sup>	-	-	85 mm	40 mm	40 mm	35 mm

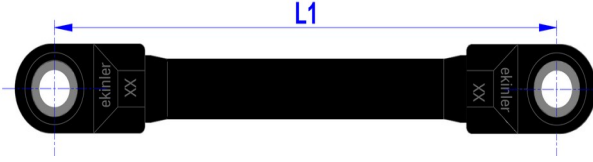
## DIMENSIONS (mm)



CABLE SECTION	A	B	C
25mm <sup>2</sup>	2	4.75	16.50
35mm <sup>2</sup>	2	4.75	16.50
50mm <sup>2</sup>	2	5.60	17.50
70mm <sup>2</sup>	3	6.00	19.50
95mm <sup>2</sup>	3	6.20	23.50

# R - TYPE CONNECTORS

## Product List



<u>Product Code</u>	<u>Cable Section</u>	<u>L1(mm)</u>
MEKN71000108	35mm <sup>2</sup>	95
MEKN71000109	35mm <sup>2</sup>	110

<u>Product Code</u>	<u>Cable Section</u>	<u>L1(mm)</u>
MEKN71000110	50mm <sup>2</sup>	95
MEKN71000111	50mm <sup>2</sup>	110
MEKN71000112	50mm <sup>2</sup>	130
MEKN71000113	50mm <sup>2</sup>	170

<u>Product Code</u>	<u>Cable Section</u>	<u>L1(mm)</u>
MEKN71000114	70mm <sup>2</sup>	95
MEKN71000115	70mm <sup>2</sup>	110
MEKN71000116	70mm <sup>2</sup>	130
MEKN71000117	70mm <sup>2</sup>	150
MEKN71000118	70mm <sup>2</sup>	170

\* Please contact us for different length and cable section requests.