

# BATTERY CHARGING CABLE



## GENERAL INFORMATION

Battery charging cables are customized, flexible and durable products that allow easy charging of batteries. For this purpose, they are produced as customized products with many connection types.

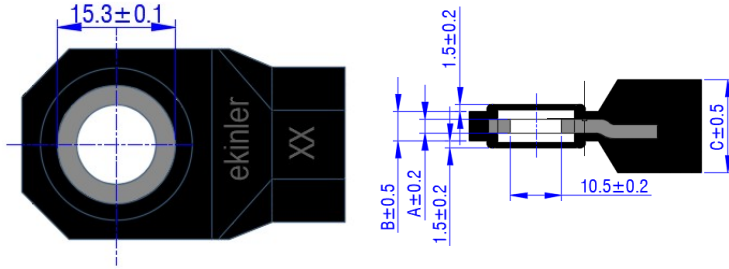
## FEATURES

- ❖ High current carrying capacity
- ❖ High flexibility
- ❖ High impermeability (Thanks to special cable insulation and injection materials)
- ❖ Cable cross section range is between 16mm<sup>2</sup>-120mm<sup>2</sup>
- ❖ Terminal pull-out force complies with MIL-T 7928
- ❖ 100% resistance control and marking
- ❖ %99.9 Copper terminals
- ❖ Class-5 and Class-6 cable can be used
- ❖ Various connection types (Connectors, Terminals, cable lugs etc.)

# BATTERY CHARGING CABLE

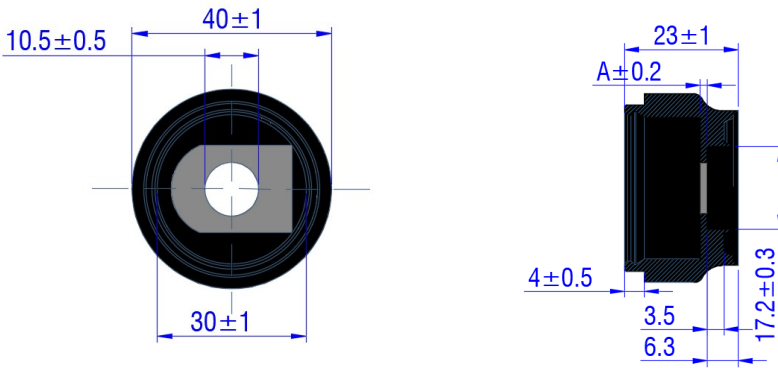
## CONNECTOR DIMENSIONS (mm)

### F - TYPE CONNECTOR



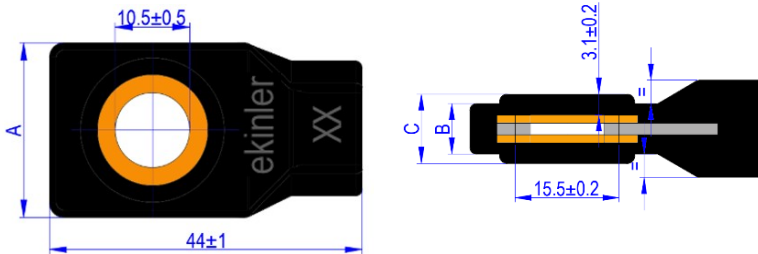
CABLE SECTION	A	B	C
25mm <sup>2</sup>	2	4.75	16.5
35mm <sup>2</sup>	2	4.75	16.5
50mm <sup>2</sup>	2	5.60	17.5
70mm <sup>2</sup>	3	6	19.5
95mm <sup>2</sup>	3	6.20	23.5

### P - TYPE CONNECTOR



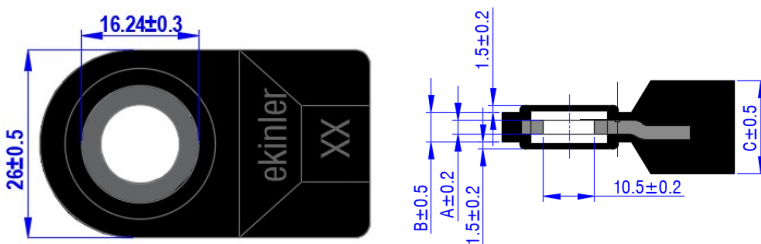
CABLE SECTION	A
25mm <sup>2</sup>	2
35mm <sup>2</sup>	2
50mm <sup>2</sup>	2
70mm <sup>2</sup>	3
95mm <sup>2</sup>	3

### S - TYPE CONNECTOR



CABLE SECTION	A	B	C
25mm <sup>2</sup>	24.4±0.5	7.5±0.2	10.4±0.2
35mm <sup>2</sup>	26.5±0.5	8±0.2	10.8±0.2
50mm <sup>2</sup>	29.7±0.5	8.8±0.2	11.6±0.2
70mm <sup>2</sup>	31.1±0.5	9.8±0.2	12.6±0.2
95mm <sup>2</sup>	34.5±0.5	10.8±0.2	13.5±0.2

### R - TYPE CONNECTOR



CABLE SECTION	A	B	C
25mm <sup>2</sup>	2	4.75	16.5
35mm <sup>2</sup>	2	4.75	16.5
50mm <sup>2</sup>	2	5.60	17.5
70mm <sup>2</sup>	3	6	19.5
95mm <sup>2</sup>	3	6.20	23.5

\* Please contact us for different product types, cable cross-sections, cable lengths and connector types.

📍 MOSB 3. Kısım Ekrem Elginkan Cd. No:20  
45030 Osb/Yunussemre/Manisa

📶 [www.ekinler.com](http://www.ekinler.com)

☎ Tel: +90 (236) 213 04 74  
Fax: +90 (236) 213 04 78

✉ [info@ekinler.com](mailto:info@ekinler.com)

