

BATTERY CHARGING CABLE



GENERAL INFORMATION

Battery charging cables are customized, flexible and durable products that allow easy charging of batteries. For this purpose, they are produced as customized products with many connection types.

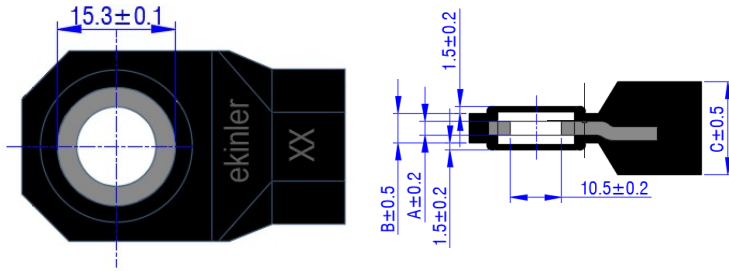
FEATURES

- ❖ High current carrying capacity
- ❖ High flexibility
- ❖ High impermeability (Thanks to special cable insulation and injection materials)
- ❖ Cable cross section range is between 16mm²-120mm²
- ❖ Terminal pull-out force complies with MIL-T 7928
- ❖ 100% resistance control and marking
- ❖ %99.9 Copper terminals
- ❖ Class-5 and Class-6 cable can be used
- ❖ Various connection types (Connectors, Terminals, cable lugs etc.)

BATTERY CHARGING CABLE

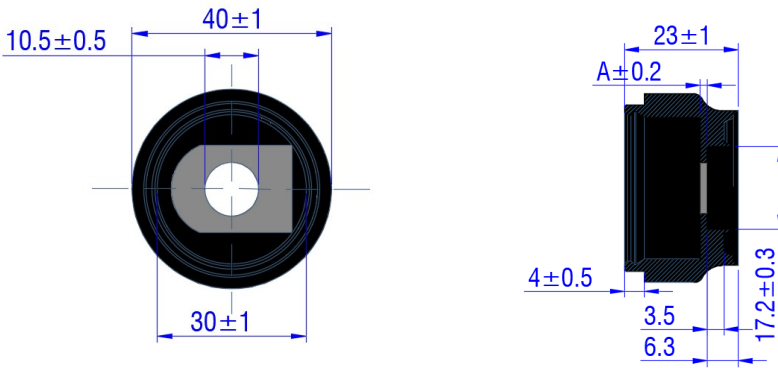
CONNECTOR DIMENSIONS (mm)

F - TYPE CONNECTOR



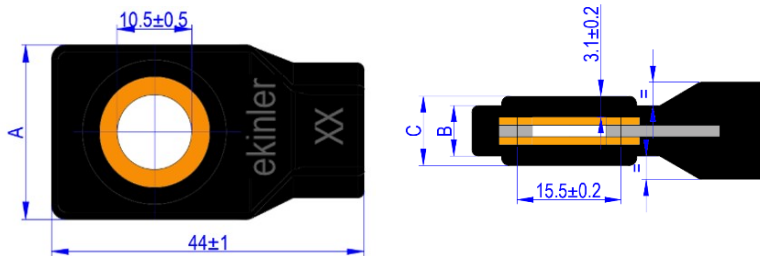
CABLE SECTION	A	B	C
25mm ²	2	4.75	16.5
35mm ²	2	4.75	16.5
50mm ²	2	5.60	17.5
70mm ²	3	6	19.5
95mm ²	3	6.20	23.5

P - TYPE CONNECTOR



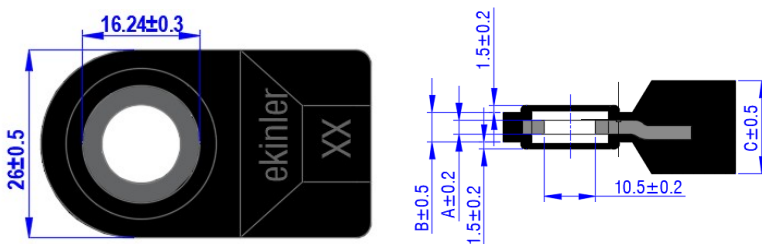
CABLE SECTION	A
25mm ²	2
35mm ²	2
50mm ²	2
70mm ²	3
95mm ²	3

S - TYPE CONNECTOR



CABLE SECTION	A	B	C
25mm ²	24.4±0.5	7.5±0.2	10.4±0.2
35mm ²	26.5±0.5	8±0.2	10.8±0.2
50mm ²	29.7±0.5	8.8±0.2	11.6±0.2
70mm ²	31.1±0.5	9.8±0.2	12.6±0.2
95mm ²	34.5±0.5	10.8±0.2	13.5±0.2

R - TYPE CONNECTOR



CABLE SECTION	A	B	C
25mm ²	2	4.75	16.5
35mm ²	2	4.75	16.5
50mm ²	2	5.60	17.5
70mm ²	3	6	19.5
95mm ²	3	6.20	23.5

* Please contact us for different product types, cable cross-sections, cable lengths and connector types.

📍 MOSB 3. Kısım Ekrem Elginkan Cd. No:20
45030 Osb/Yunussemre/Manisa

📶 www.ekinler.com

☎ Tel: +90 (236) 213 04 74
Fax: +90 (236) 213 04 78

✉ info@ekinler.com

